

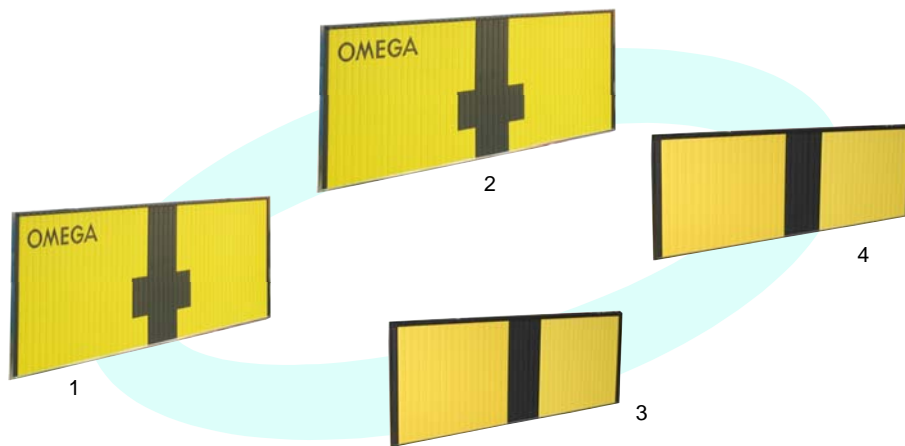


OCP5 touch pad

The Omega Electronics OCP5 touch pad consists of a high grade stainless steel frame that supports the individual and interlinked non slip, nonabrasive resilient polyvinyl chloride slats. The reliability and durability of the touch pad, which has been designed for sustained heavy duty use is unaffected by hard water and chemical corrosion. The contact strips and the surface are adjusted in such manner that any point on the touch pad reacts to the same force, between two and three kilograms. It is highly sensitive to local impact but does not react to an overall change in surface pressure; thus eliminating false impulses due to waves.

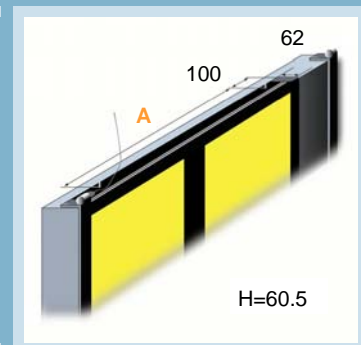
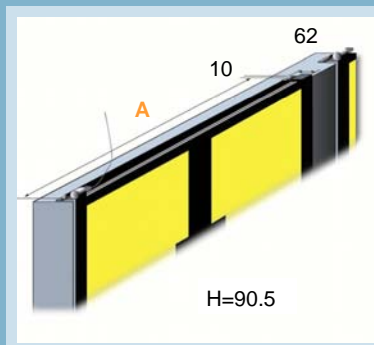
The horizontal contact strips are fixed within the touch pad and in this way give a timing signal when they close due to an applied pressure. Ultra long life is guaranteed with the integration of high quality materials and leading edge technology, making this product the reference for swimming timing equipment. Small repairs due to hard use can even be carried out by the client himself. This way, no touch pads need to be returned for repair. The OCP5 is available in four sizes that all feature the same top level of quality. To guarantee this, all components are carefully selected and thoroughly tested before assembly. A specially designed storage and transport trolley is available as a recommended option and can accommodate up to ten full height OCP5 touch pads.

All these advanced features guarantee accurate results with no compromise.



Type	Length	Height	Lanes width	Distance ▲	Weight	Pic
▶ OCP5 190/90	1908 mm	905 mm	2000 mm	1895 mm	12.8 kg	1
▶ OCP5 240/90 (FINA)	2403	905	2500	2380	16.3 kg	2
▶ OCP5 150/60	1503	605	1600	1300	7.3 kg	3
▶ OCP5 200/60 (AAU-NCAA)	2003	605	2100	1800	10.2 kg	4

- ▶ Sensibility between 2 and 3 kg
- ▶ Material Stainless steel frame
PVC slats yellow and black
- ▶ Operating manual ref. 2924.510.02



- ▶ Trolley 2924.903
- ▶ Push button OIT3 2872.003
- ▶ Harness set for mobile installations 3409.914
3409.916
3409.918
3409.910
- ▶ Harness multilane module 3409.903 ▶▶

for up to 10 touch pads (see front picture) with 3m coiled cable. Banana plugs ▶

- ▶ set for 4 lanes
- ▶ set for 6 lanes
- ▶ set for 8 lanes
- ▶ set for 10 lanes



Options



OCP5 top features

- 4 sizes
- Easy maintenance
- Non slip
- Non abrasive
- Non corrosive
- High sensitivity
- Easy storage
- Easy transport
- FINA recommended
- Top quality, best buy

All the information contained in this document can be modified without warning. Omega Electronics SA cannot be made responsible for any errors contained in this document or for any damage secondary or consequent (including the loss of profits) arising from the supplying, performance or use of this product, whether it be on the base of a guarantee, a contract or any other legal ground. 2924.562.02C

OMEGA ELECTRONICS SA • P.O. BOX 4161 • RUE DES PRÉS 149 • CH-2500 BIENNE 4, SWITZERLAND
PHONE ++41 32 3433 711 • FAX ++41 32 3433 808 • e-mail: info@omega-electronics.ch • Web: http://www.omega-electronics.ch



A COMPANY OF THE **SWATCH GROUP**